

Zilla innovative and superb designed mounting provide an ideal ergonomic solutions to meet your requirements. We are the solution for your mounting needs.



ZILLA durable mechanical spring system arm with a sleek appearance, works with almost any LCD monitor measuring 32 Inches or smaller. This single monitor arm offers space saving convenience, ergonomic placement with exceptional range of flexible motion. From height adjustment, extension and retraction to display tilt, swivel, landscape or portrait mode. Light force easily adjust the monitor arm as needed.

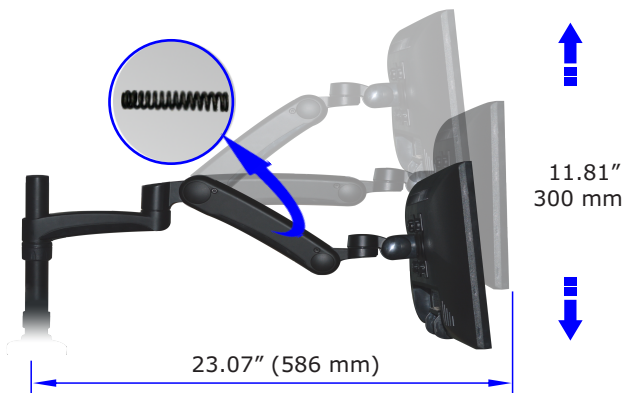
Desk Mount Mechanical Spring System



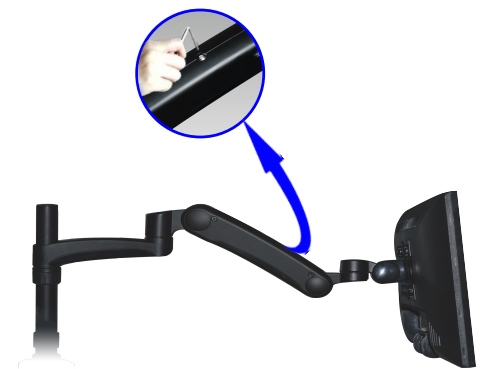
Product Feature

- ❖ Comfort and durability designed ergonomic desk mount with mechanical spring system arm
- ❖ Compatible with almost any LED flat or curved monitors measuring 32 Inches or smaller
- ❖ Sleek, solidly constructed high grade aluminum casting arm
- ❖ Mounting your monitor is a simple process with quick change detachable VESA plate. All the necessary tools and hardware are provided.
- ❖ Fully adjustable arm provides tilt, swivel and screen rotation from landscape to portrait mode delivers optimal viewing angles
- ❖ Hide cables inside the plastic cover and detachable cable clips snap onto center pole keeping AV and power cords a neat and organized appearance.
- ❖ Heavy duty C-Clamp and grommet option mounting

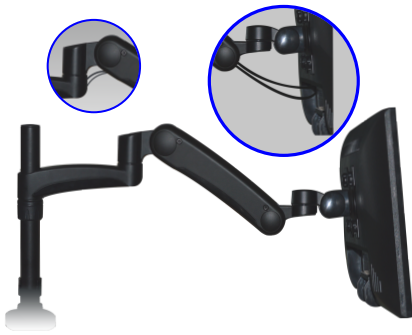
Build In Mechanical Spring System



Tension Adjustment



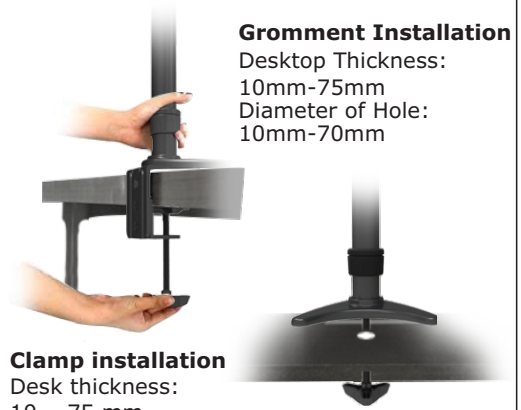
Cable Management Channels



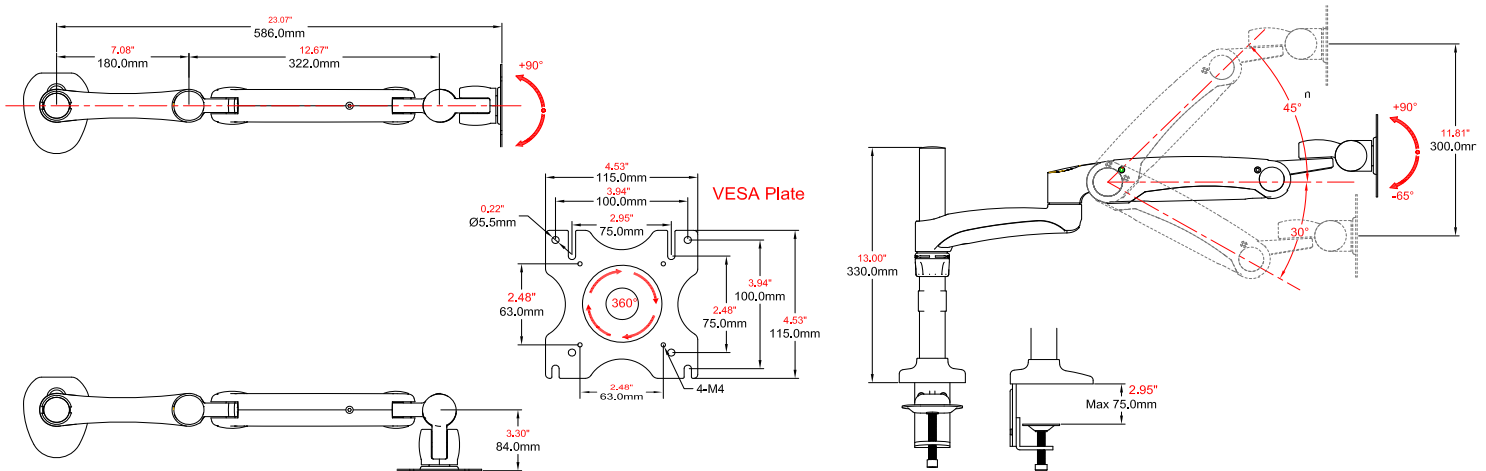
Fully Adjustable Arm Extend, Lift, Rotate, Swivel and Tilt



Flexibility Installation



Technical Drawing



Product Specifications

Model: DC3-A780A

- Monitor VESA 75*75mm or 100*100mm
- Integrated Cable Management
- Fits Screen ≤ 32 Inches
- Portrait & Landscape 360°
- Tension Adjustment Allen Key 4mm
- Tilting +90° / -65°
- Lifting +45° / - 30°
- Height Adjustment 300mm (11.81")
- Arm Extension 586mm (23.07")
- Swivel 180°
- Load 3-8Kg / 6.6-17.6lbs
- Desk Clamp Installation
 Desk thickness 10mm-75mm (0.39-2.75")
- Grommet Installation
 Diameter of the deskhole 10mm-75mm (0.39-2.75")



Adjust mechanical spring arm to suitable tension according to the weight of your monitor as the factory setting the mechanical spring is originally at minimum level of tension.

Zilla is leading manufacturer of high quality, cost effective ergonomic monitor mounts, sit and stand workstations, medical and laptop carts products. We offer an ODM and OEM at extremely competitive prices. We value you time and effort and we want to build long relationships with every customer.



Contact us
 Phone: 0086 512 57065682
 Fax: 0086 512 57065683
 E-mail: sales@zilla-tech.com
 Website: www.zilla-tech.com

Visit us
 1351, Beimen Road Hi-Tech
 Industrial Park, Kunshan,
 Jiangsu Province
 215316 china



Spring Arm A780